

# ZKD-40 SERIES



## Incremental Hollow-shaft Encoder

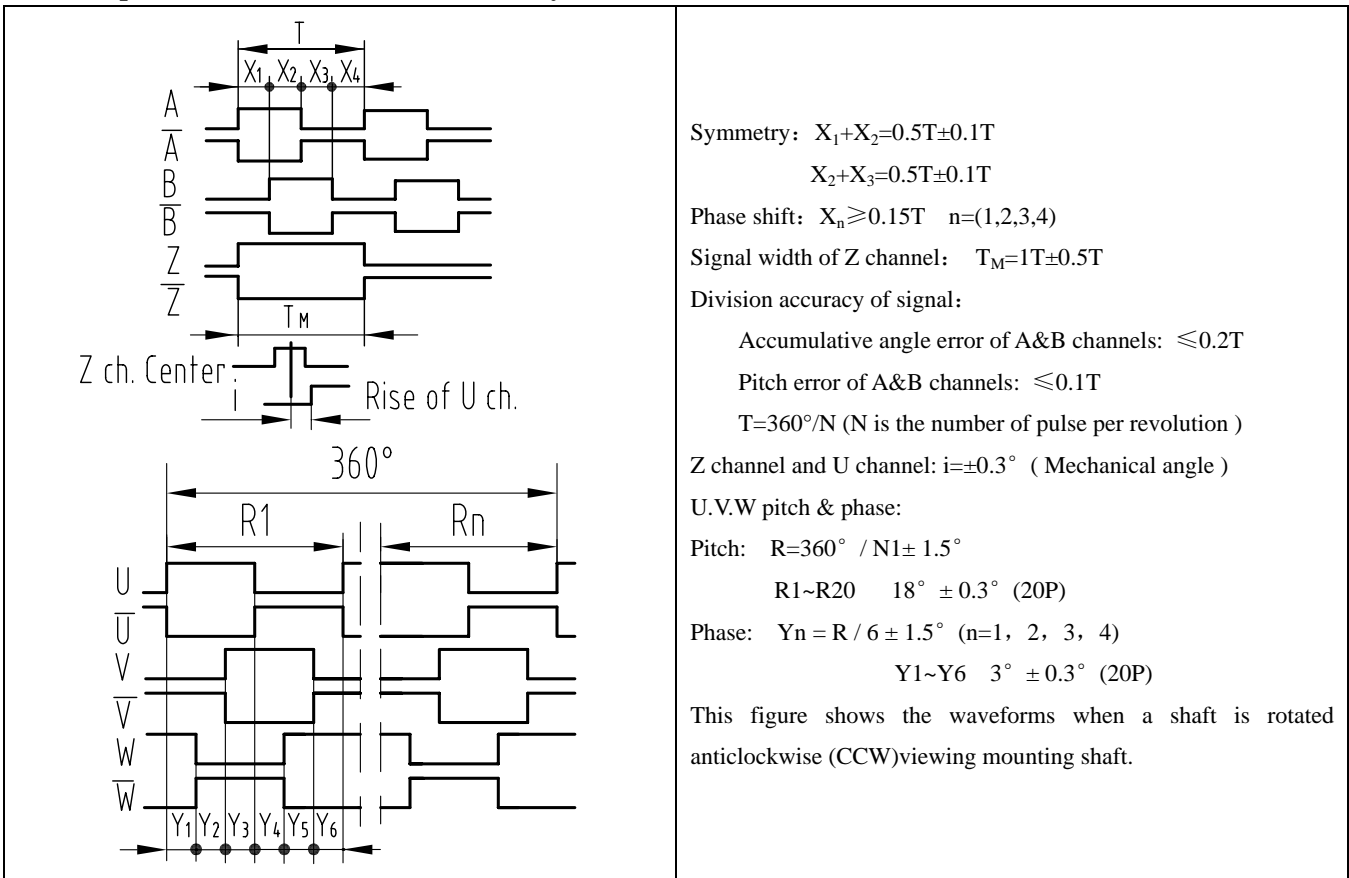
- Hollow shaft encoder
- U V W signals

### Explanation of model: ZKD-40-□BM/□P-G05L

ZKD	—	40	—	□		B		M	/	□P	—	G		05		L	—	□m
Model	Function	1/10 output pulses No.				Dual square wave in quadrature		Index signal		U.V.W Channels		Side entry cable		Voltage supply		Output mode		Cable length

Output pulses per revolution: 8192P/r  
Signal cycle of U、V、W channels: 20P

### Output waveforms and division accuracy:



### Electrical specifications:

Output mode	Voltage supply (V)	Current requirement (mA)	Output voltage(V)		Raise /fall time(ns)	Min. load resistance (MΩ)DC250V	Frequency response (kHz)
			V <sub>H</sub>	V <sub>L</sub>			
L(line driver)	5±0.25	<200	≥2.5	≤0.5	≤200	≥100	0~200

### Mechanical specifications:

Slew speed (r/min)	Starting torque N.m (at 25°C)	Max. allowable load		Moment of inertia (kg.m <sup>2</sup> )	Allowable input angle acceleration (rad/s <sup>2</sup> )
		Radial direction (N)	Axial direction (N)		
500	$5 \times 10^{-2}$	50	50	$5 \times 10^{-6}$	10000

■ **Environmental specifications:**

Operating temperature (°C)	Storage temperature (°C)	Vibration resistance	Shock resistance	Protection	Weight
-20~+70	-20~+85	70m/S <sup>2</sup> (50Hz, 2 hrs each in X, Y and directions)	200m/S <sup>2</sup> (3 times each in X,Y,Z directions, lasting 15ms)	IP52	0.4kg(exclude the cable)

■ **Output circuit:**



■ **Connection specifications:**

Signal	5V	A	B	Z	U	V	W	shield
Color	red	green	grey	yellow	tea	blue	orange	Bronze
Signal	0V	A-bar	B-bar	Z-bar	U-bar	V-bar	W-bar	
Color	black	green/white	gray/white	yellow/white	tea/white	blue/white	orange/white	

■ **External view:**

